

S.A.INSTRUMENTS AND SYSTEMS



An ISO 9001:2015 Company



H-4011, Opp.BSNL Telephone Exchange, Kalyan - Badlapur Road, Buwapada, Ladinaka, Behind Laxmi Kirana Stores, Ambarnath - West, Dist - Thane, Mumbai - 421501, India

email:sainstrumentsandsystems@gmail.com/sales@sainstrumentsandsystems.com,

Web:www.indiamart.com/sa-instruments-systems/ www.sainstrumentsandsystems.com

Mobile No: +91-8291798610 / +91-9503764169

!!Jai Mata Di!!

****Gas Equipment's*Lab Instruments*Analytical Instruments*Chromatography Consumables and Fittings*Chemicals & Glassware's****

HYDROGEN GAS GENERATOR



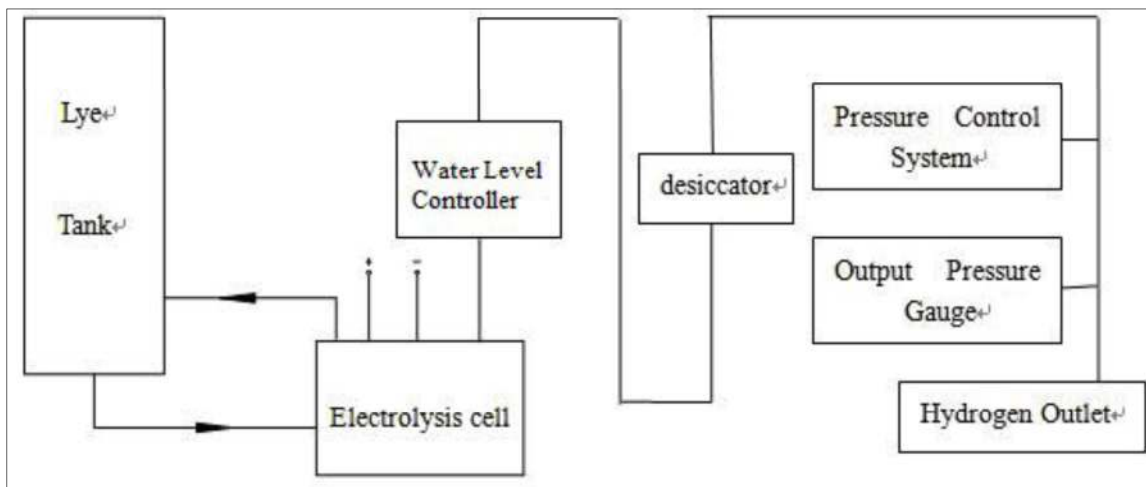
Hydrogen Gas Generator that produces hydrogen by using most advanced electrolytic membrane technology. The usage of voltage across the electrolyte results in hydrolysis, breaking down the water molecule into hydrogen and oxygen gas, which are separated by the gas permeable membrane. To achieve the desired level of purity, the hydrogen gas goes through series of purification and moisture removal systems while the oxygen gas is being discharged into the atmosphere.

The electrolytic membrane technology has its own benefits over alternative hydrogen gas generator techniques as it is clean and requires minimum maintenance. The generator do not store chemical in order to maintain the operation only pure double distilled water (initially) is used.

Technical Parameters

Specifications	SAH - 300	SAH - 500	SAH - 1000
Max Hydrogen Flow rate	300 ml/min	500 ml/min	1000 ml/min
Delivery Pressure	0 - 60 psig (0 - 0.4 Mpa)		
% Purity	>99.999%		
Power Consumption	150W	180W	220W
Power	198 - 242V (AC); 50Hz, 1 Phase		
Min/Max Temperature	5-40°C		
Max.Ambient Humidity	< 85% RH		
Suitable Environment	Non - Corrosive and dust free		
Dimensions	420 x 210 x 350mm (L x W x H)		
Weight	12 kg (approx)		
Fluid Tank Capacity	1.5 L		
Fluid Consumption	Weekly or when level falls below 0.6		

Technological Process



We work to fulfill the needs of our valued customers, to achieve their goals and help them to gain success by providing best services and products at valuable price.